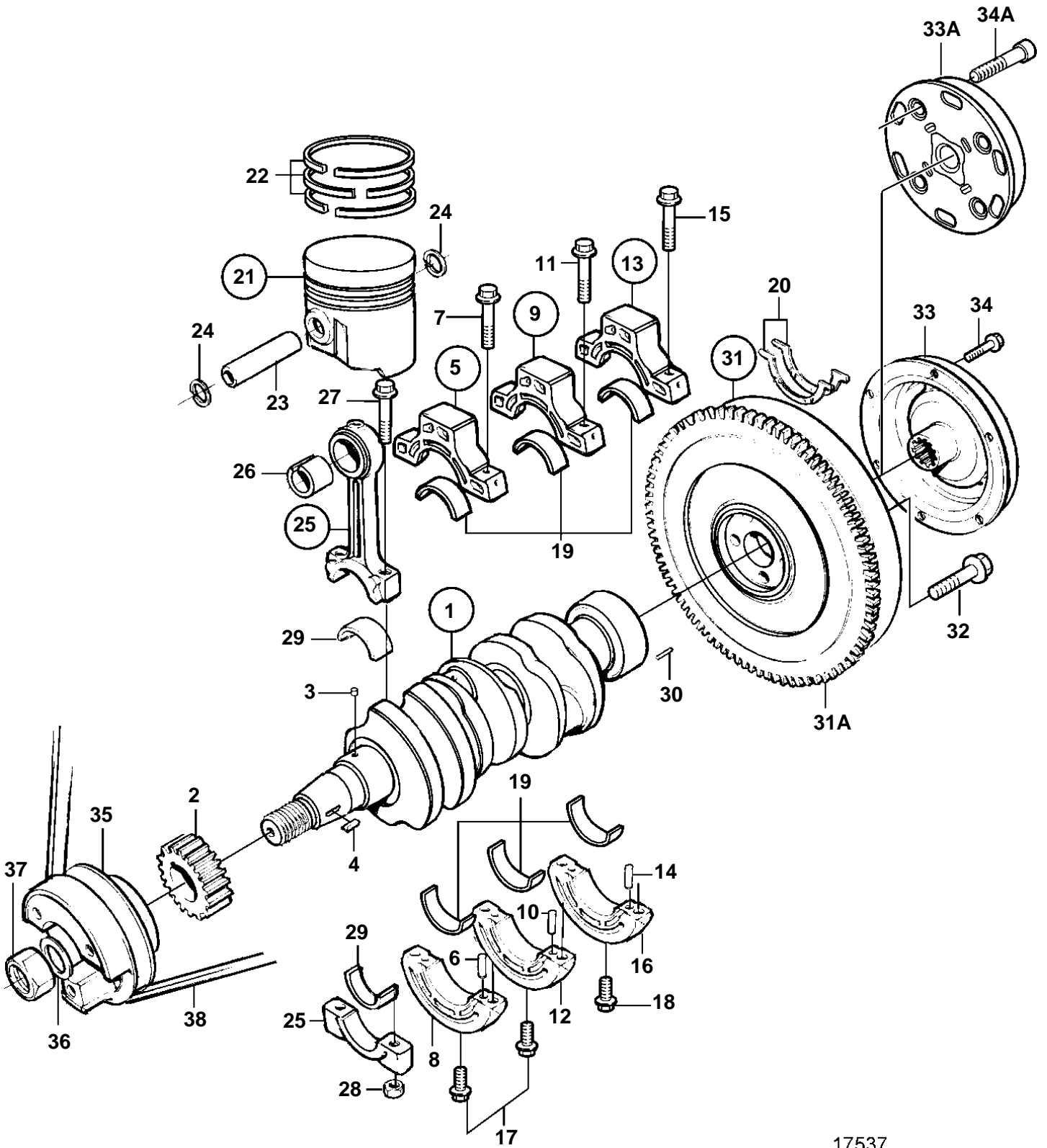


MD2040C, MD2040D



17537

MD2040C, MD2040D

REF	PART NO.	QTY	DESCRIPTION	SEE SEC.	NOTES
1	3580531	1	Crankshaft		
2	3580532	1	• Gear		
3	861934	1	• Key		
4	861969	1	• Woodruff key		
5		1	Retainer		
6		2	• Pin		
7	965221	2	• Flange screw		(3580534)
8		1	• Retainer		
9		1	Retainer		
10		2	• Pin		
11	965221	2	• Flange screw		(3580534)
12		1	• Retainer		
13		1	Retainer		
14		2	• Pin		
15	965221	2	• Flange screw		(3580534)
16		1	• Retainer		
17	965188	2	Screw		(3580544)
18	3580545	2	Screw		
19	876663	1	Main bearing kit		
	876664	1	Main bearing kit		
	876665	1	Main bearing kit		
20	3580543	2	Thrust washer		
21	876695	3	Piston kit		STD D
	876817	3	Piston kit		O.D=0,50mm
22	3580546	3	• Piston ring kit		
	3580547	3	• Piston ring kit		
23	3580550	3	• Piston pin		
24	3580551	6	• Lock ring		
25	3580552	3	Connecting rod		
26	3580553	3	• Bushing		
27	3580554	6	• Screw		
28	3580555	6	• Nut		
29	876685	1	Big end bearing kit		STD D
	876686	1	Big end bearing kit		U.S=0,25mm
	876687	1	Big end bearing kit		U.S=0,50mm
30	3580352	1	Locating pin		
31	3583315	1	Flywheel		(3580559)
31A	3580560	1	• Gear ring		
32	3580561	6	Screw		
33	872809	1	Vibration damper		UP TO MD2040C
33A	3885414	1	Vibration damper		MD2040D
34	861975	6	Screw		UP TO MD2040C
34A	959207	6	Screw		MD2040D
35	3580562	1	Pulley		
36	3580564	1	Washer		
37	3580563	1	Nut		
38		1	V-belt	4191	